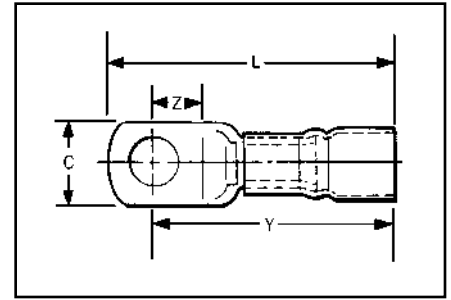


TYPE YAEV-H

INSULUG™

Ring-Tongue Terminals

Nylon-Insulated
For Expanded Insulation



Designed to accommodate larger conductor insulation diameters. Made of one piece tin plated pure electrolytic seamless copper tubing for maximum conductivity and ductility. Color-coded insulating sleeves are locked into position. Inspection hole permits visual check of wire insertion. Meets requirements of SAE-AS7928.

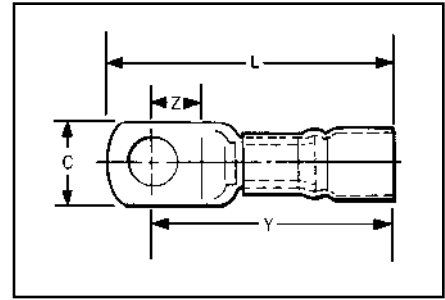
Bulk Catalog Number	Wire Range	Stud Size	C	Z Min.	Y Max.	L Max.	Installation Tooling		Wire Strip Length	
							HYTOOL™ HYPRESS™	Y29NC, Y29BH		
								Nest		Indenter
YAEV8C-H14	8 Max. Insul. Dia.: .30" Sleeve Color: Red	6-8	.41	.25	1.32	1.54	M8ND with N8CET-2 Die MY28-6* Y35, Y39 with U8CET Die	DEV8L	Y29PLE-1	7/16"
YAEV8C-H		8-10	.41	.25	1.34	1.54				
YAEV8C-H1		1/4	.46	.28	1.37	1.61				
YAEV8C-H2		5/16	.57	.33	1.39	1.68				
YAEV8C-H3		3/8	.57	.33	1.39	1.68				
YAEV8C-H4		1/2	.73	.47	1.52	1.91				
YAEV6C-H1	6 Max. Insul. Dia.: .38" Sleeve Color: Blue	8-10	.48	.28	1.48	1.73	MY28-6* Y35, Y39 with U6CET Die Set	DEV6L	Y29PLE-1	1/2"
YAEV6C-H		1/4	.48	.28	1.48	1.73				
YAEV6C-H4		5/16	.60	.33	1.54	1.85				
YAEV6C-H2		3/8	.60	.34	1.54	1.85				
YAEV6C-H10		1/2	.73	.47	1.68	2.06				
YAEV4C-H3	4 Max. Insul. Dia.: .44" Sleeve Color: Yellow	8-10	.55	.28	1.60	1.87	MY28-6* Y35, Y39 with U4CET	DEV4L	Y29PLE-1	1/2"
YAEV4C-H		1/4	.55	.28	1.60	1.87				
YAEV4C-H4		5/16	.62	.34	1.66	1.98				
YAEV4C-H2		3/8	.62	.34	1.66	1.98				
YAEV4C-H5		1/2	.73	.47	1.79	2.18				
YAEV2C-H3	2 Max. Insul. Dia.: .52" Sleeve Color: Red	8-10	.69	.35	1.98	2.34	MY28-6* Y35, Y39 with U2CET Die	DEV2L	Y29PLE	5/8"
YAEV2C-H1		1/4	.69	.35	1.98	2.34				
YAEV2C-H2		5/16	.69	.35	1.98	2.34				
YAEV2C-H		3/8	.69	.35	1.98	2.34				
YAEV2C-H4		1/2	.77	.47	2.10	2.49				
YAEV1C-H1	1 Max. Insul. Dia.: .58" Sleeve Color: White	1/4	.76	.38	2.10	2.49	MY28-6* Y35, Y39 with U1CET Die	DV26L	Y29PLE	5/8"
YAEV1C-H2		5/16	.76	.38	2.10	2.49				
YAEV1C-H		3/8	.76	.38	2.10	2.49				
YAEV1C-H3		1/2	.86	.47	2.10	2.62				

* BMV BNCH-MT bench mount adapter available.

Blue highlighted items are industry standard and most frequently ordered.

TYPE YAEV-H

(Continued)



Bulk Catalog Number	Wire Range	Stud Size	C	Z Min.	Y Max.	L Max.	Installation Tooling			Wire Strip Length
							HYTOOL™ HYPRESS™	Y29NC, Y29BH		
								Nest	Indenter	
YAEV25-H1	1/0	1/4	.83	.43	2.39	2.82	MY28-6* Y35, Y39 with U25ET Die Set	DEV25L	Y29PLE	11/16"
YAEV25-H2	Max. Insul.	5/16	.83	.43	2.39	2.82				
YAEV25-H	Dia.: .66"	3/8	.83	.43	2.39	2.82				
YAEV25-H3	Sleeve Color: Blue	1/2	.88	.47	2.43	2.88				
YAEV25-H4	Color: Blue	5/8	.88	.62	2.59	3.10	MY28-6* Y35, Y39 with U26ET Die Set	DEV26L	Y29PLE	13/16"
YAEV26-H1	2/0	1/4	.94	.48	2.65	3.13				
YAEV26-H2	Max. Insul.	5/16	.94	.48	2.65	3.13				
YAEV26-H	Dia.: .73"	3/8	.94	.48	2.65	3.13				
YAEV26-H3	Sleeve Color: Yellow	1/2	.94	.48	2.65	3.13				
YAEV26-H12	Yellow	5/8	.94	.62	2.70	3.33				

* BMY BNCH-MT bench mount adapter available.